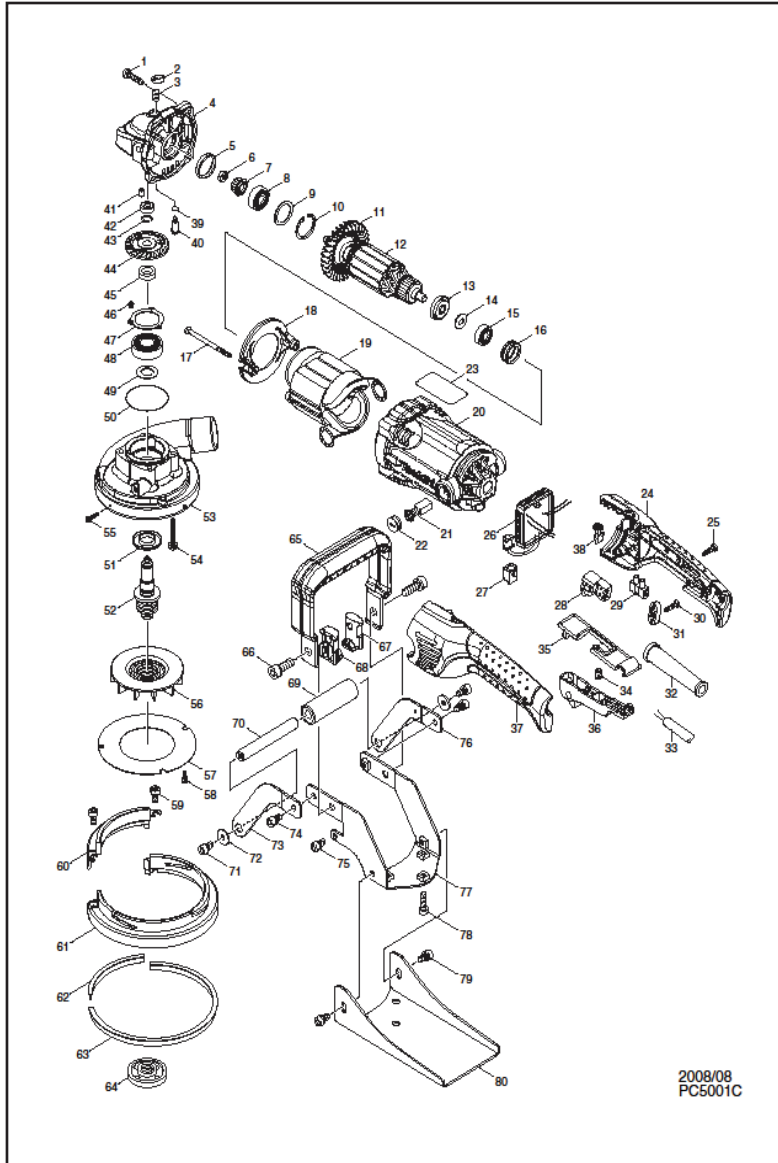


PC5001C



2008/08
PC5001C

| REF. | CODE | DESCRIPTION | UNIT | LIST | REF. | CODE | DESCRIPTION | UNIT | LIST |
|------|----------|-----------------------------|------|------|------|----------|--------------------------|------|------|
| 001 | 266459-3 | TAPPING SCREW 5X25 | PC | | 060 | 424188-6 | DUST COVER CAP | PC | |
| 002 | 417771-6 | PIN CAP | PC | | 061 | 424187-8 | DUST COVER | PC | |
| 003 | 234057-1 | COMPRESSION SPRING 8 | PC | | 062 | 443145-5 | BRUSH B | PC | |
| 004 | 318158-4 | GEAR HOUSING | PC | | 063 | 443144-7 | BRUSH A | PC | |
| 005 | 424051-3 | RUBBER RING 26 | PC | | 064 | 224554-5 | LOCK NUT 14-45 | PC | |
| 006 | 264010-3 | HEX NUT M7 | PC | | 065 | 273529-1 | GRIP | PC | |
| 007 | 227520-1 | SPIRAL BEVEL GEAR 11 | PC | | 066 | 922441-9 | HEX SOCKET HD BOLT M8X25 | PC | |
| 008 | 211088-7 | BALL BEARING 600DDW | PC | | 067 | 450190-3 | SPACER B | PC | |
| 009 | 267352-4 | FLAT WASHER 22 | PC | | 068 | 450190-3 | SPACER B | PC | |
| 010 | 962107-9 | RETAINING RING (INT) R-30 | PC | | 069 | 152179-4 | FRONT ROLLER COMPL | PC | |
| 011 | 240094-5 | FAN 70 | PC | | 070 | 321436-3 | FRONT ROLLER SHAFT | PC | |
| 012 | 510147-7 | ARMATURE ASSY 115V | PC | | 071 | 922311-2 | HEX SOCKET HD BOLT M6X12 | PC | |
| D10 | | INC. 1113-15 | | | 072 | 253011-6 | FLAT WASHER 6 | PC | |
| 013 | 681660-3 | INSULATION WASHER | PC | | 073 | 346042-3 | ROLLER HANDLE L | PC | |
| 014 | 267281-1 | FLAT WASHER 8 | PC | | 074 | 922311-2 | HEX SOCKET HD BOLT M6X12 | PC | |
| 015 | 210044-4 | BALL BEARING 608DDW | PC | | 075 | 922311-2 | HEX SOCKET HD BOLT M6X12 | PC | |
| 016 | 421720-7 | RUBBER RING 22 | PC | | 076 | 346043-1 | ROLLER HOLDER R | PC | |
| 017 | 266325-4 | TAPPING SCREW 4X70 | PC | | 077 | 346044-9 | BASE HOLDER | PC | |
| 018 | 419961-7 | BAFFLE PLATE | PC | | 078 | 265844-7 | HEX SOCKET HD BOLT M6X20 | PC | |
| 019 | 528810-8 | FIELD ASSY 115V | PC | | 079 | 922311-2 | HEX SOCKET HD BOLT M6X12 | PC | |
| C10 | 654020-2 | RING TERMINAL | PC | | 080 | 341840-0 | BASE | PC | |
| C20 | 654501-6 | CONNECTOR P-1.25 | PC | | A01 | 122853-8 | DUST BAG ASSY | PC | |
| 20 | 140019-8 | MOTOR HOUSING COMPL | PC | | A02 | 410047-0 | WRENCH HOLDER 5.6 | PC | |
| C10 | 643751-8 | BRUSH HOLDER | PC | | A03 | 782426-5 | LOCK NUT WRENCH 35 | PC | |
| 21 | 194547-5 | CARBON BRUSH CB-253 | PC | | A04 | 783203-8 | HEX WRENCH 5 | PC | |
| 22 | 643750-0 | BRUSH HOLDER CAP | PC | | A05 | 140073-2 | CARRYING CASE COMPL | PC | |
| 23 | 866331-5 | NAME PLATE | PC | | C10 | 819351-8 | MAKITA LOGO LABEL | PC | |
| 24 | 188630-8 | HANDLE SET | SET | | A06 | 194921-7 | BRUSH SET | PC | |
| D10 | | INC. 37 | | | A07 | B-12289 | OFFSET DIAMOND WHEEL 125 | PC | |
| 25 | 266326-2 | TAPPING SCREW 4X18 | PC | | E01 | 655030-2 | PLUG UK TYPE 16A-4H/110V | PC | |
| 26 | 631797-6 | CONTROLLER | PC | | E02 | 654091-9 | NON-INSULATED TERMINAL | PC | |
| 27 | 418518-1 | SLEEVE | PC | | | | | | |
| 28 | 651922-3 | SWITCH TG71B | PC | | | | | | |
| 29 | 654575-7 | TERMINAL BLOCK | PC | | | | | | |
| 30 | 266326-2 | TAPPING SCREW 4X18 | PC | | | | | | |
| 31 | 687140-7 | STRAIN RELIEF | PC | | | | | | |
| 32 | 682574-9 | CORD GUARD 10-90 | PC | | | | | | |
| 33 | 695237-8 | POWER SUPPLY CORD 1.5-2-5.0 | PC | | | | | | |
| 34 | 233117-6 | COMPRESSION SPRING | PC | | | | | | |
| 35 | 418519-9 | SWITCH BASE | PC | | | | | | |
| 36 | 158401-7 | SWITCH LEVER A COMPL | PC | | | | | | |
| 37 | 188630-8 | HANDLE SET | SET | | | | | | |
| D10 | | INC. 24 | | | | | | | |
| 38 | 450184-8 | LENS | PC | | | | | | |
| 39 | 213977-2 | O RING 7 | PC | | | | | | |
| 40 | 256505-0 | SHOULDER PIN 5 | PC | | | | | | |
| 41 | 263002-9 | RUBBER PIN 4 | PC | | | | | | |
| 42 | 210033-9 | BALL BEARING 696ZZ | PC | | | | | | |
| 43 | 233950-6 | RING SPRING 11 | PC | | | | | | |
| 44 | 227521-9 | SPIRAL BEVEL GEAR 35A | PC | | | | | | |
| 45 | 257171-6 | RING 12 | PC | | | | | | |
| 46 | 911003-8 | PAN HEAD SCREW M3X6 | PC | | | | | | |
| 47 | 285728-3 | BEARING RETAINER 39 | PC | | | | | | |
| 48 | 211241-5 | BALL BEARING 620DDW | PC | | | | | | |
| 49 | 253853-8 | FLAT WASHER 15 | PC | | | | | | |
| 50 | 213624-5 | O RING 48 | PC | | | | | | |
| 51 | 345464-4 | LABYRINTH RING | PC | | | | | | |
| 52 | 325625-2 | SPINDLE | PC | | | | | | |
| 53 | 158914-8 | SKIRT COMPLETE | PC | | | | | | |
| 54 | 911256-9 | PAN HEAD SCREW M5X35 | PC | | | | | | |
| 55 | 911024-0 | PAN HEAD SCREW M3X14 | PC | | | | | | |
| 56 | 240114-5 | FAN 85 | PC | | | | | | |
| 57 | 346045-7 | SEPARATOR | PC | | | | | | |
| 58 | 911115-7 | PAN HEAD SCREW M4X10 | PC | | | | | | |
| 59 | 922312-0 | HEX SOCKET HD BOLT M6X12 | PC | | | | | | |